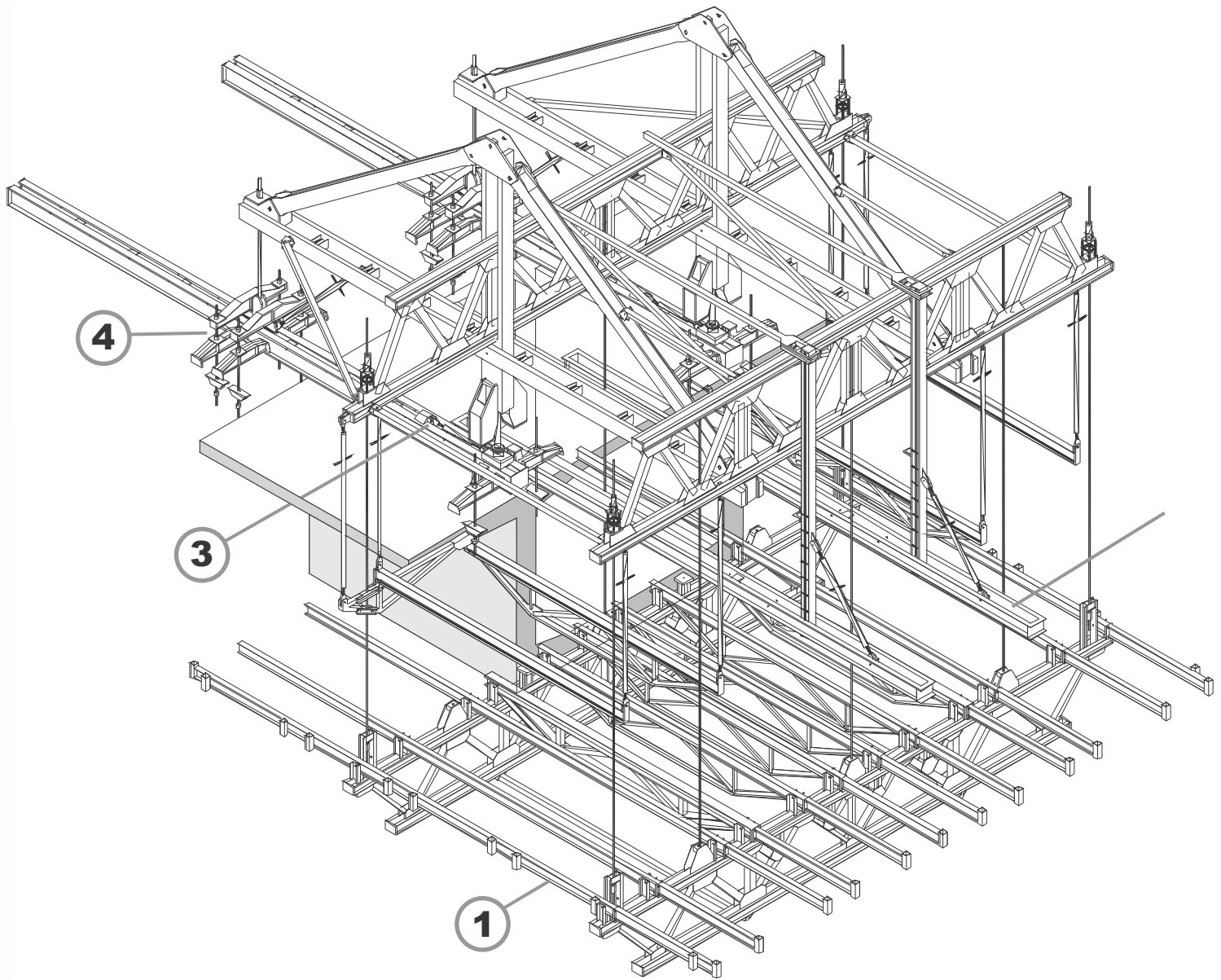


# FORM TRAVELERS



**MEXPRESA**



- ① Fully versatile, rigid Form Supporting Platforms
- ② Hydraulic, 4 point Elevation Adjustment
- ③ Handy, fully controllable Hydraulic Launching
- ④ Safe, inspectable Overturn Anchoring
- ⑤ Inner form support for Independent Operation



Metlac Bridge, Mexico



Papaloapan Bridge, Mexico



Trinity Bridge, Texas, USA



Quintana Bridge, Texas, USA



Max Extension / I-205, Oregon, USA



Maroon Creek Bridge, Colorado, USA



GIWW Bridge, Texas, USA



# FORM TRAVELERS RELATED SERVICES OFFERED

Bridge's Structural Design  
Bridge's Construction & Engineering  
Traveler Design & Fabrication  
Traveler Erection & Operation

**MEXPRESA**

Av Nativitas 429 • 16090 Xochimilco, D.F. • México  
Tel: +(52)(55) 5334 0330 • Fax +(52)(55) 5334 0331  
E-mail [mexpresa@mexpresa.com](mailto:mexpresa@mexpresa.com)